

# Measurement Systems

## Corrector Test Stand

---

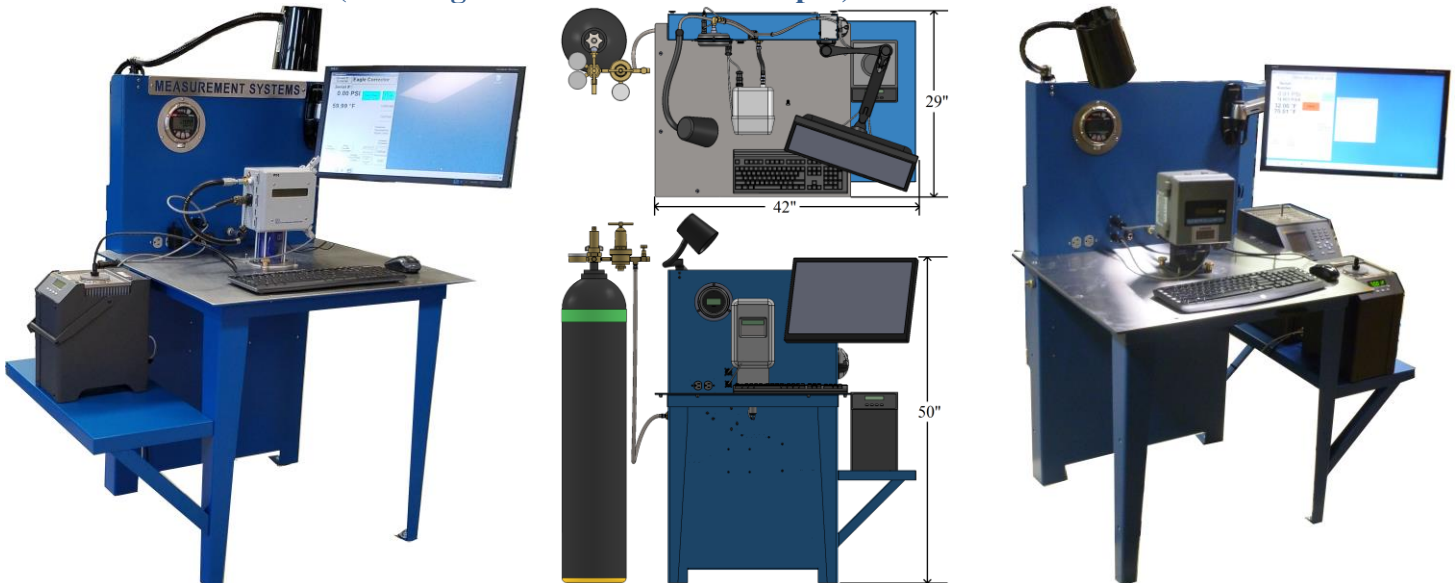
### General Specifications:

- Electronic Corrector Types: Mercury/Honeywell & Eagle Research Gas Volume Correctors up to 100 psi (100 psia) or 300 psi (300 psia) depending on the Corrector Calibrator model
- Crystal XP2i gauge(s): 0-100 psi or 0-300 psi Range
  - 0 to 20% of Range:  $\pm 0.02\%$  of Full Scale
  - 20% to 110% of Range:  $\pm 0.1\%$  of Reading
- Fluke Calibration Micro Bath(s)/Ametek Jofra CTC Dry Block(s):
  - Bath may be shared for multiple stand installations
  - 1 to 3 baths may be used for faster temperature tests/calibration
- Mensor Precision Barometric Pressure Transducer (Option for Absolute pressure corrector testing)
  - $\pm 0.02\%$  of Reading
- Clockwise/Counter Clockwise Drive Motor

### Requirements:

- Power: 120 VAC, 60 Hz, 20 Amp, single phase with ground
- Gas required: Industrial grade Nitrogen ( $\sim 99.95\%$  purity) cylinder with CGA 580 cylinder valve

### Dimensions: (50" Height x 42" Width x 29" Depth)



### Operation:

- Correctors are placed over the Clockwise/Counterclockwise Drive motor.
- The Pressure Source Hose, Corrector Communication Cable and Corrected/Uncorrected Pulse Cable are connected to the corrector under test.
- Using the CorrectorCal software, the corrector under test may be:
  - Programmed
  - In-tested (three point test; zero, mid and span pressure/temperature)
  - Calibrated (if necessary) for both 1 or 2 point Pressure and 1 or 2 point Temperature (if temperature correction is available).
  - Out-tested (three point test; zero, mid and span pressure/temperature)